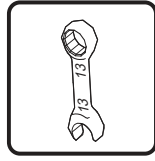
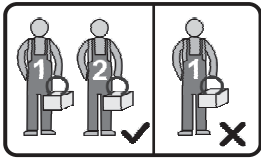
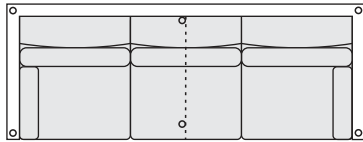


Instrukcja montażu
Assembling Instruction

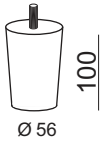
Montageanleitung
l'instruction de montage



4 SEATER (TWO PARTS)



no 58



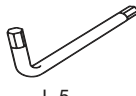
A1 x6



A x1



L-60 M8x60
B x1



L-5
C x1



S6K M8x40
D x2



E x3

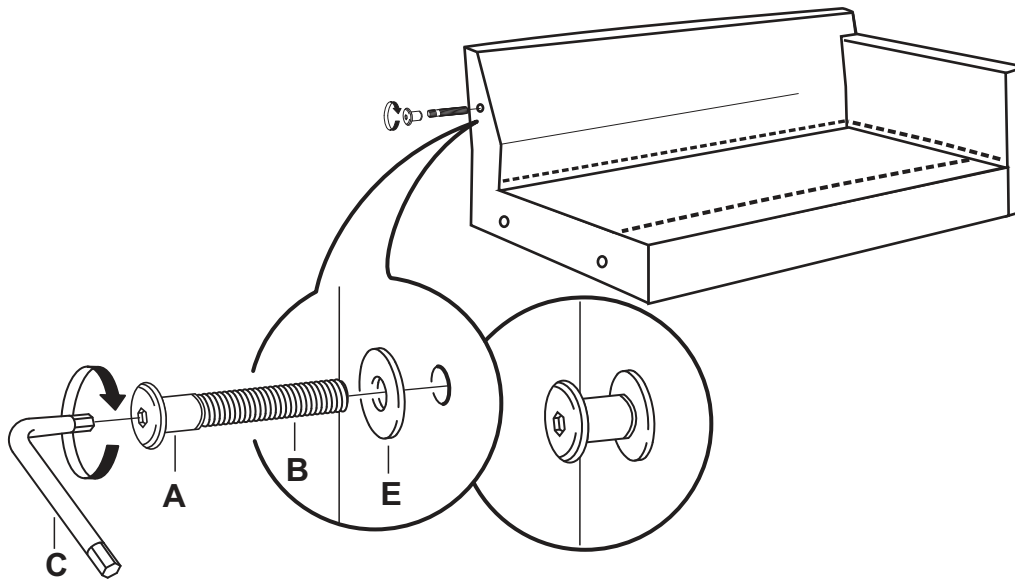


Ø 45
F x6

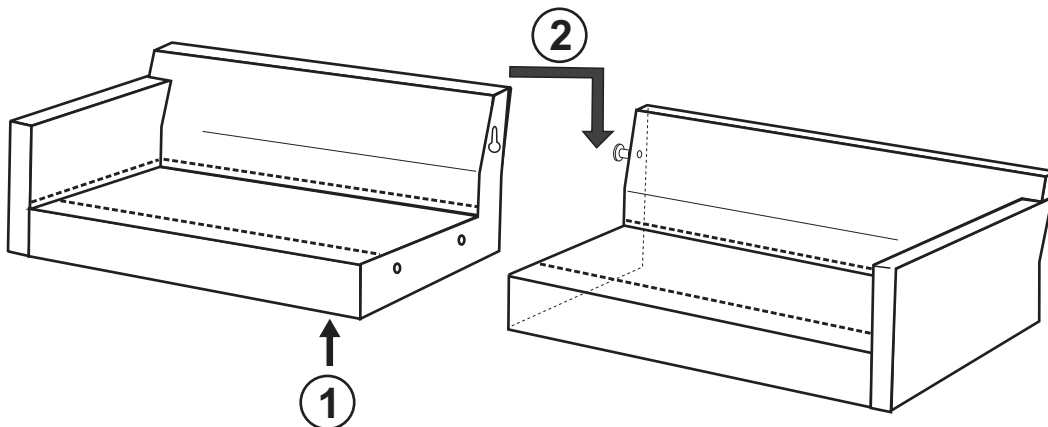


Ø 37
G x6

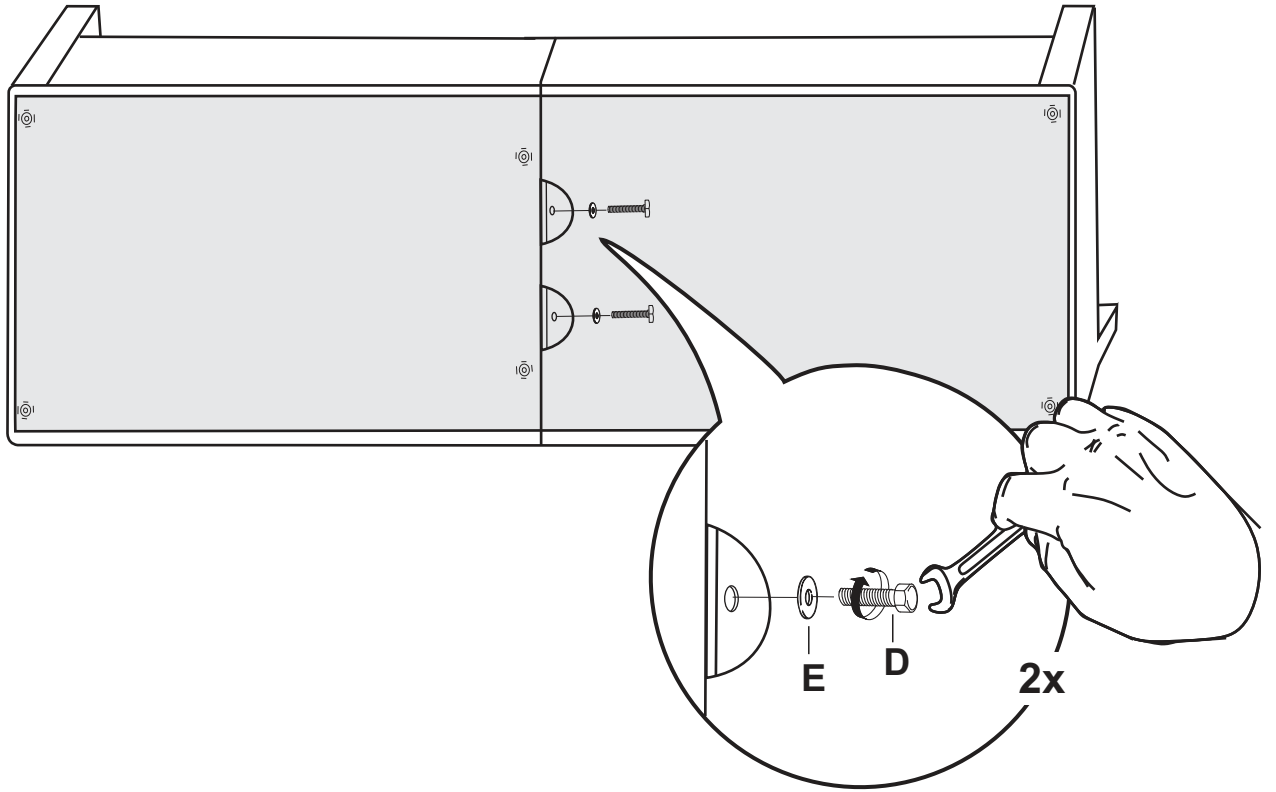
1



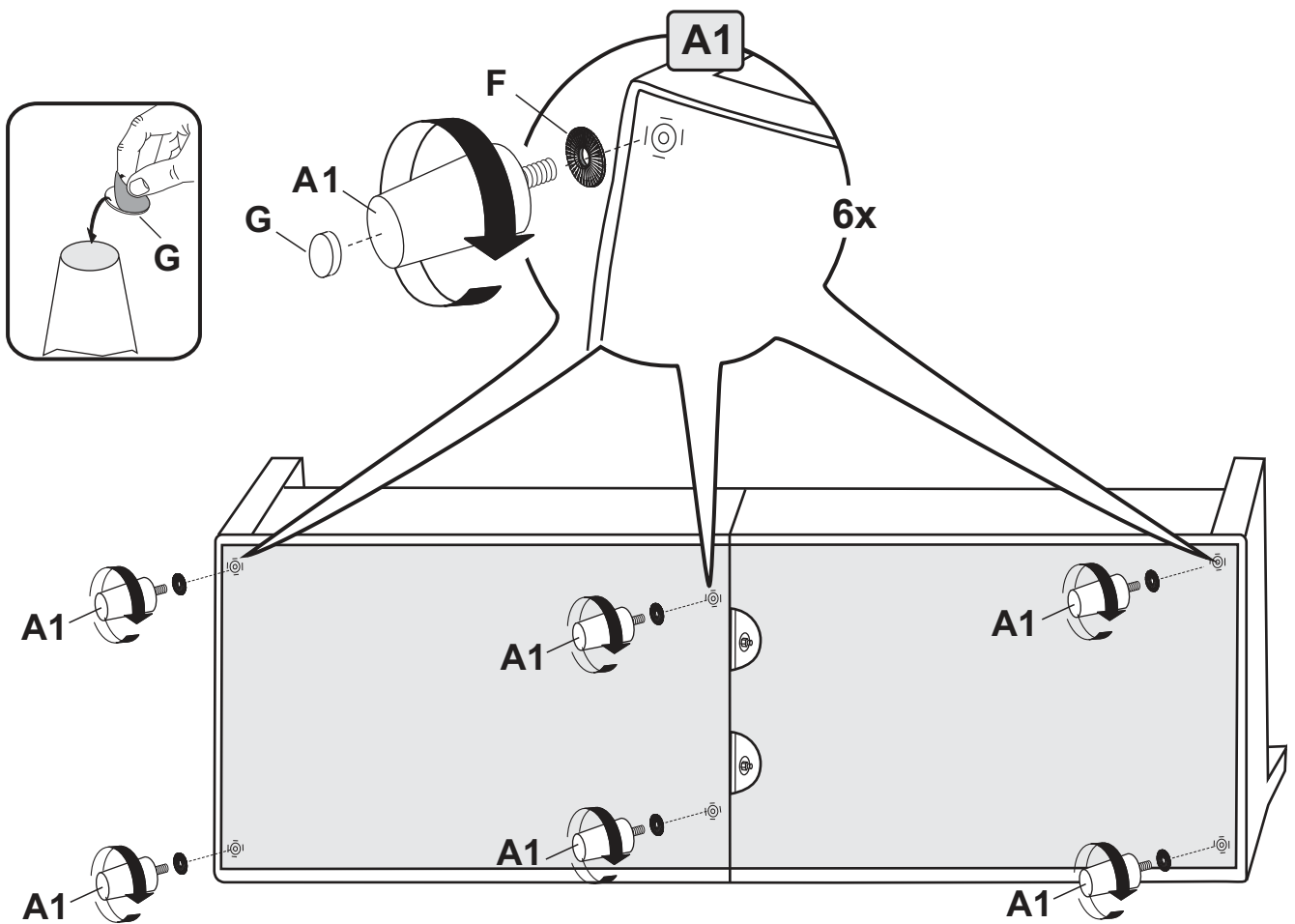
2



3

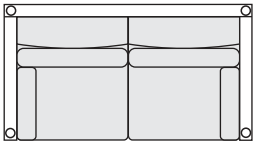


4

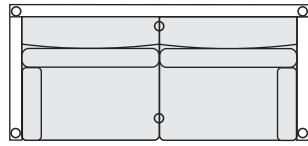


2

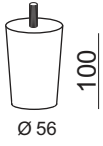
2 SEATER



3 SEATER



no 58



A1 x4

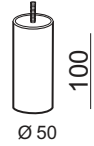


Ø 45
F x4



Ø 37
G x4

no 122



B1 x2

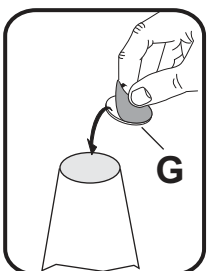
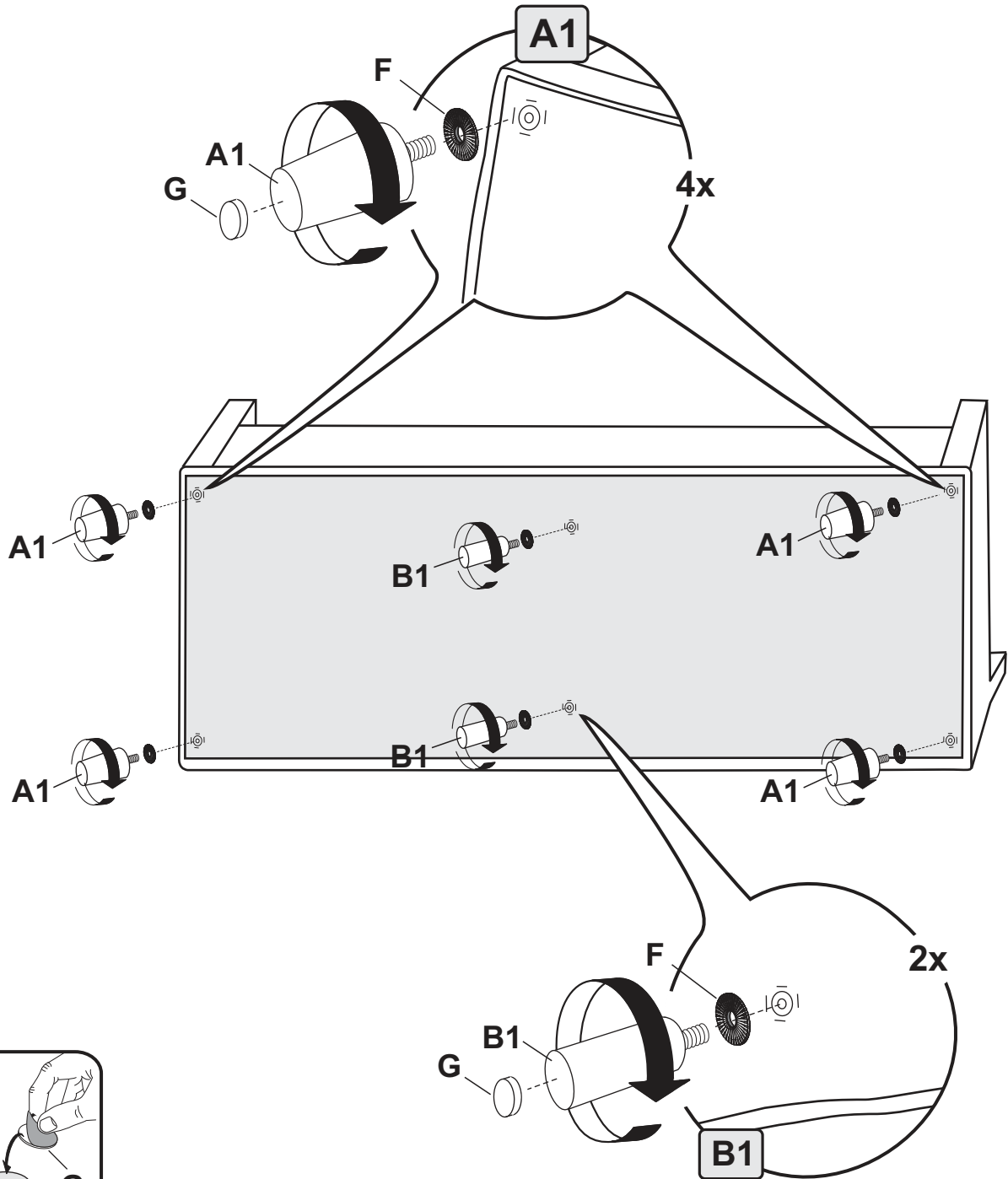


Ø 45
F x2

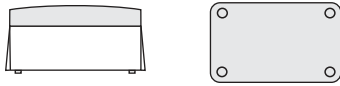


Ø 37
G x2

5



FOOTSTOOL



no 58



Ø 56

A1 x4



Ø 45

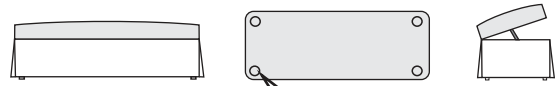
F x4



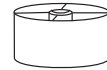
Ø 37

G x4

FOOTSTOOL BOX



no 37C



φ50x H40

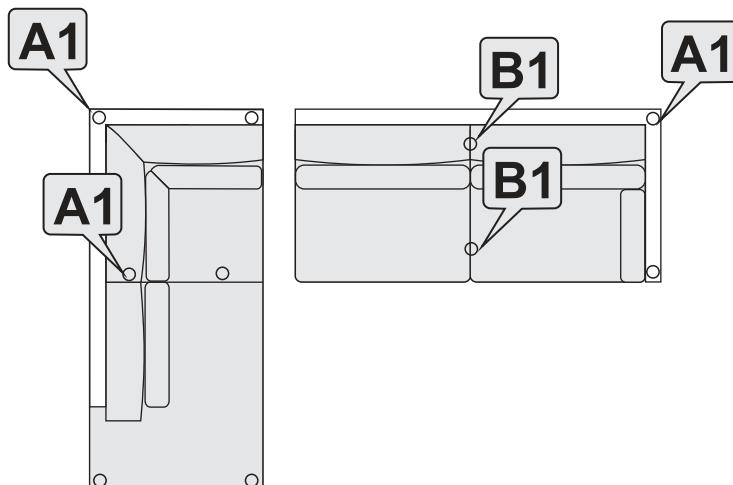
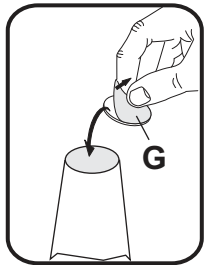
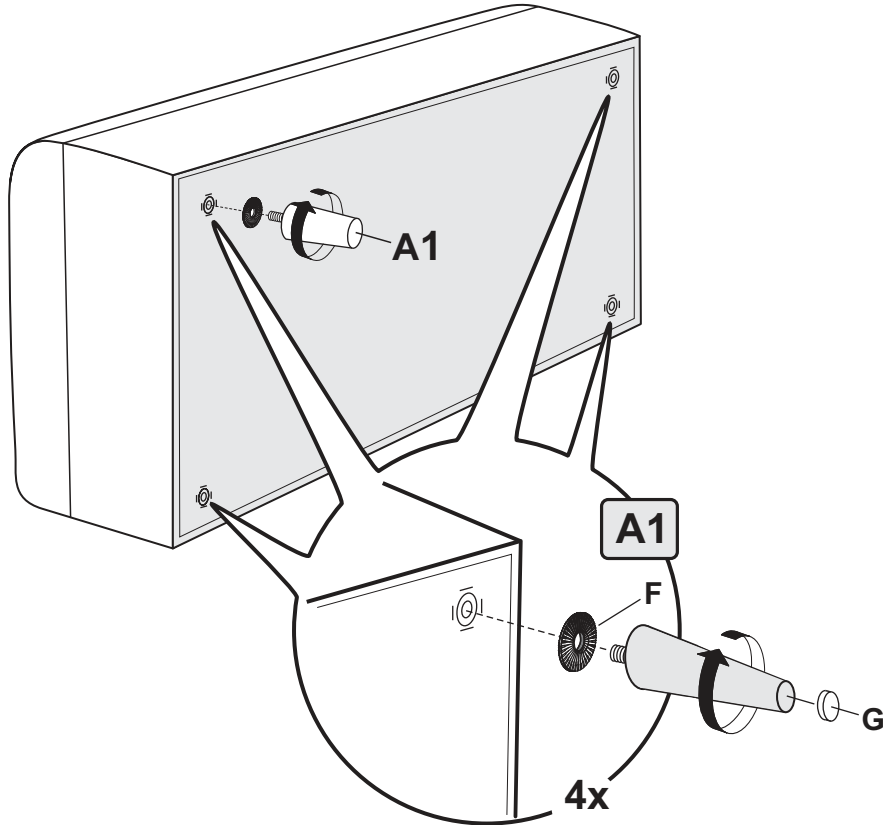


UP 5x25

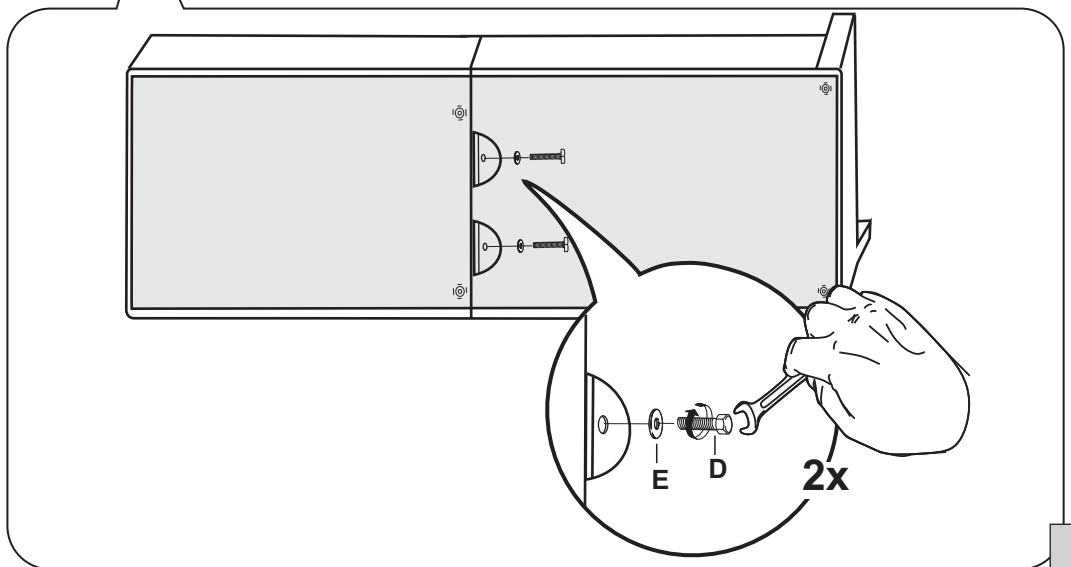
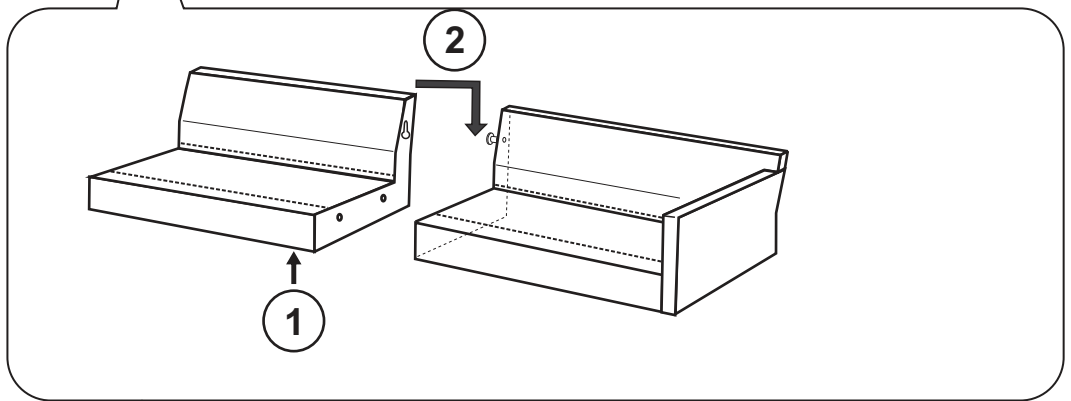
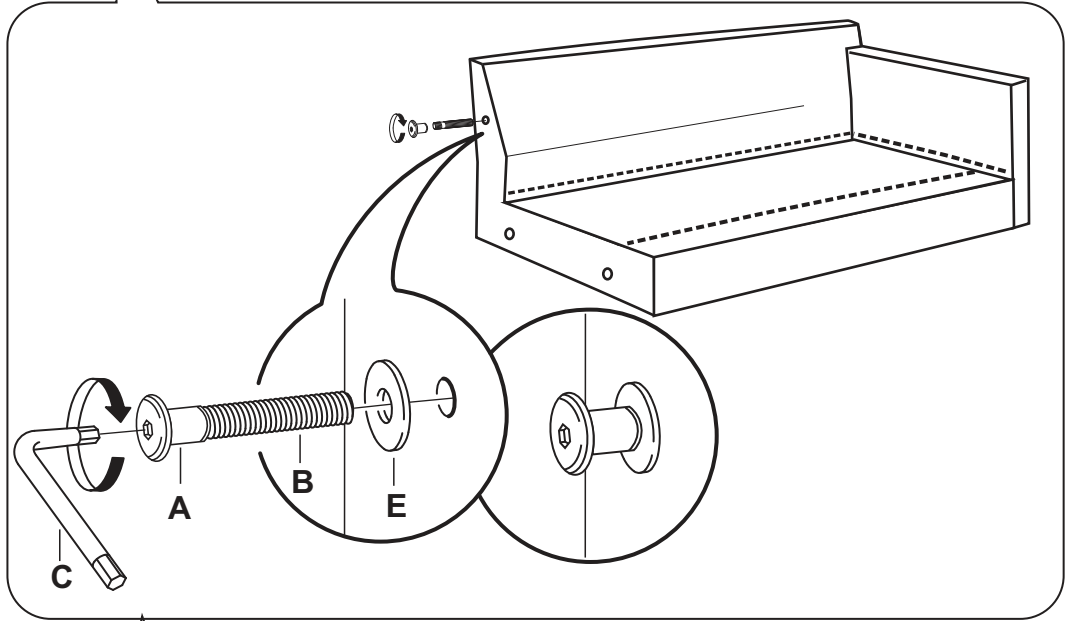
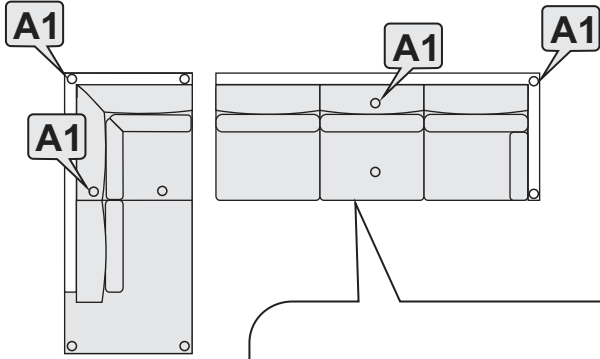


φ37

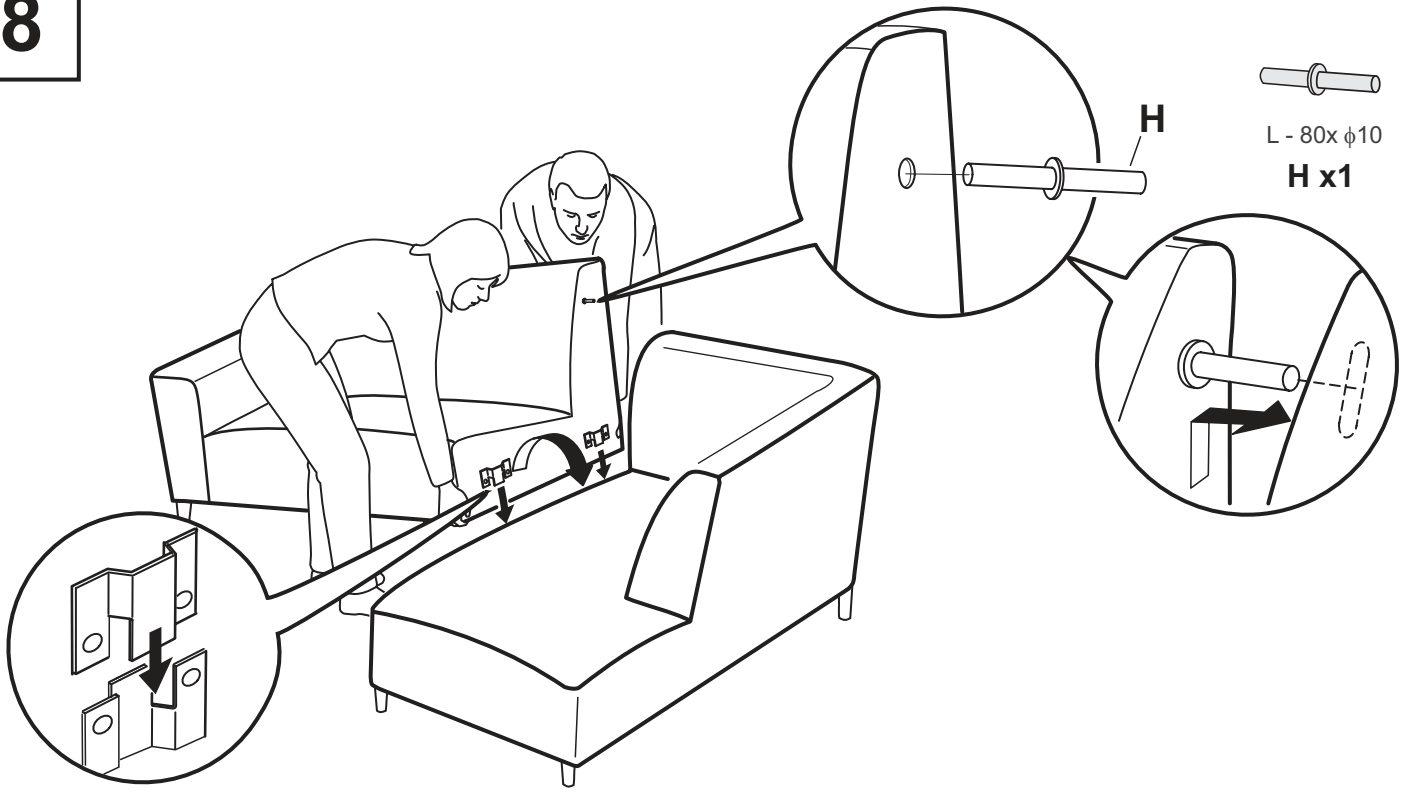
6



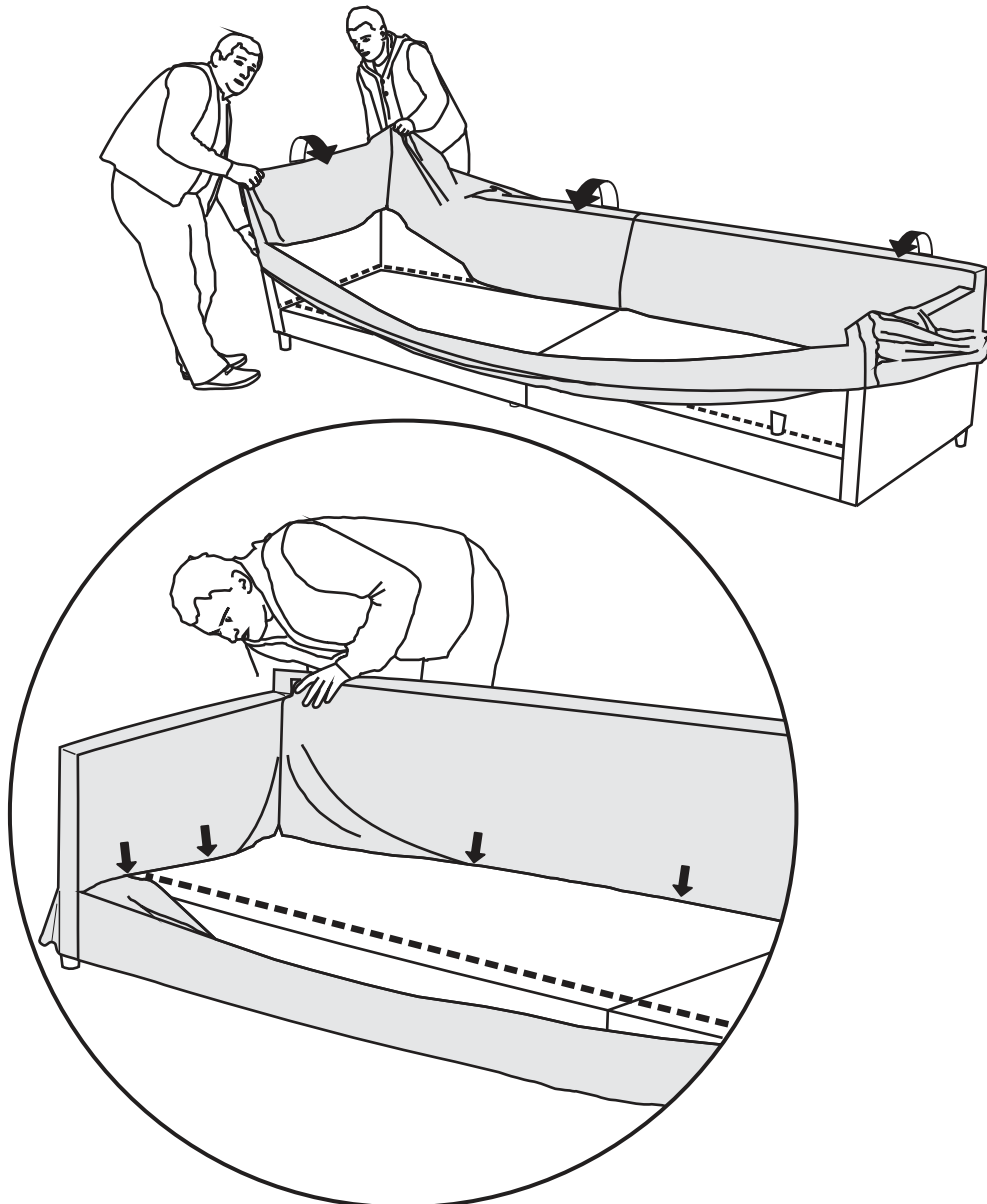
7



8



9



6

10

