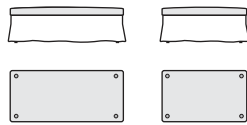
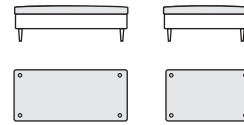


option 1
LC



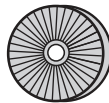
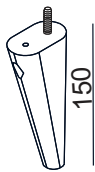
option 2
LCV



strona/page/Seite 2,3

A1

no 138



φ45x3

A x1



φ20x2

B x1



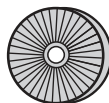
US 5x35

C x1

strona/page/Seite 2,4

B1

no 111D



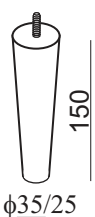
φ45x3

A x1

strona/page/Seite 3

C1

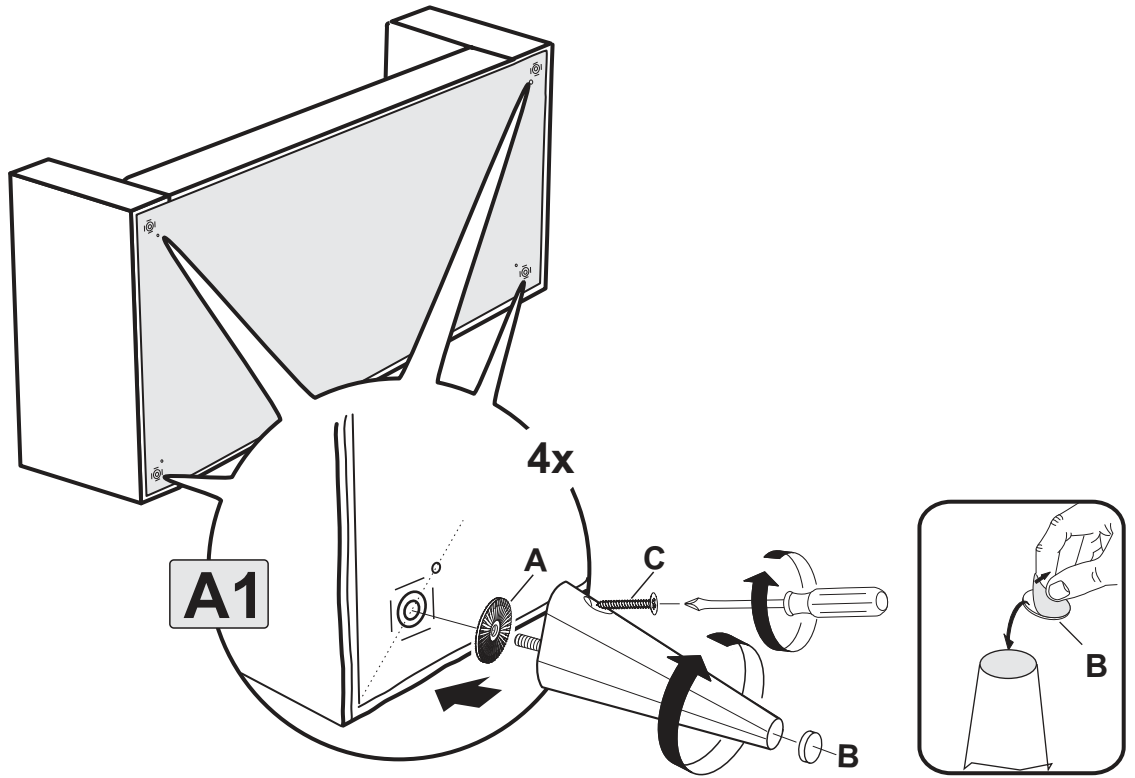
no 187



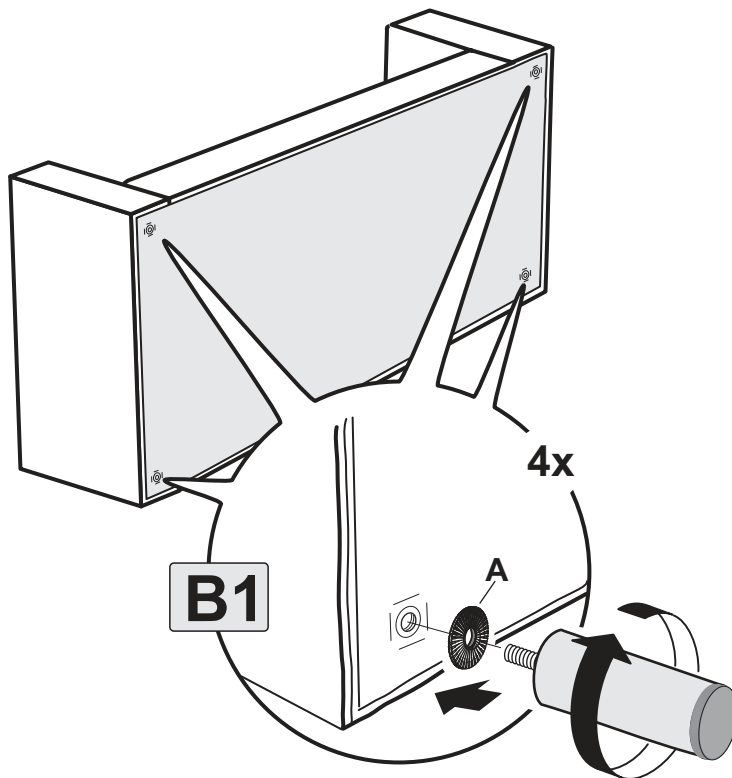
φ20x2

B x1

1



2

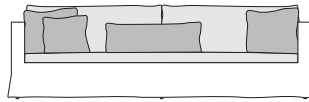
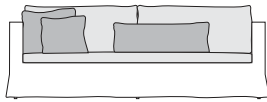


2

3 SEATER (two parts)

4 SEATER (two parts)

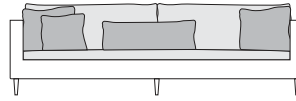
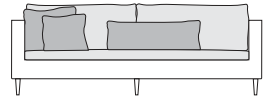
option 1
LC



option 2
LCV

3 SEATER (two parts)

4 SEATER (two parts)

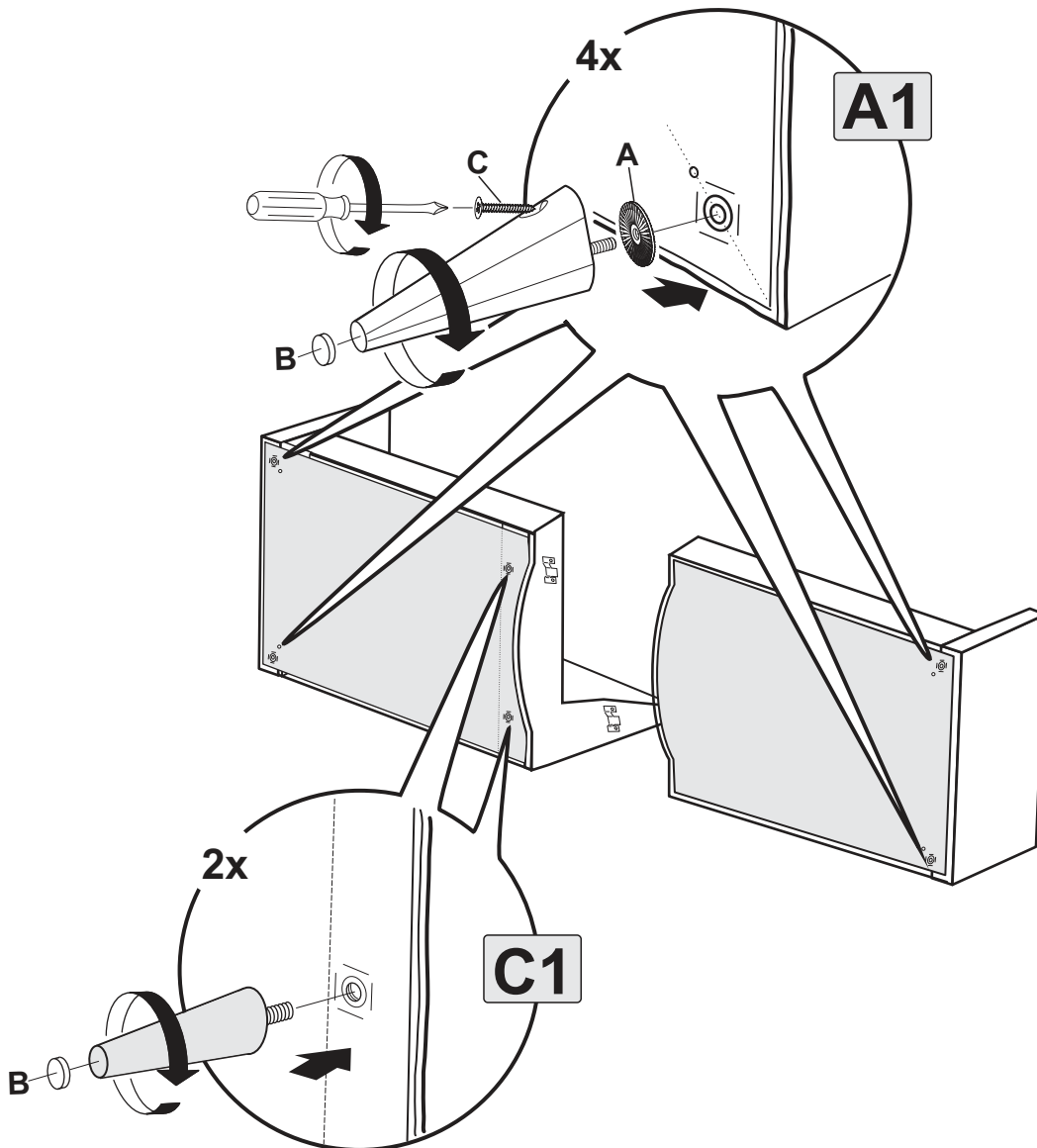
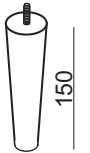
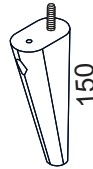


3

A1 + C1

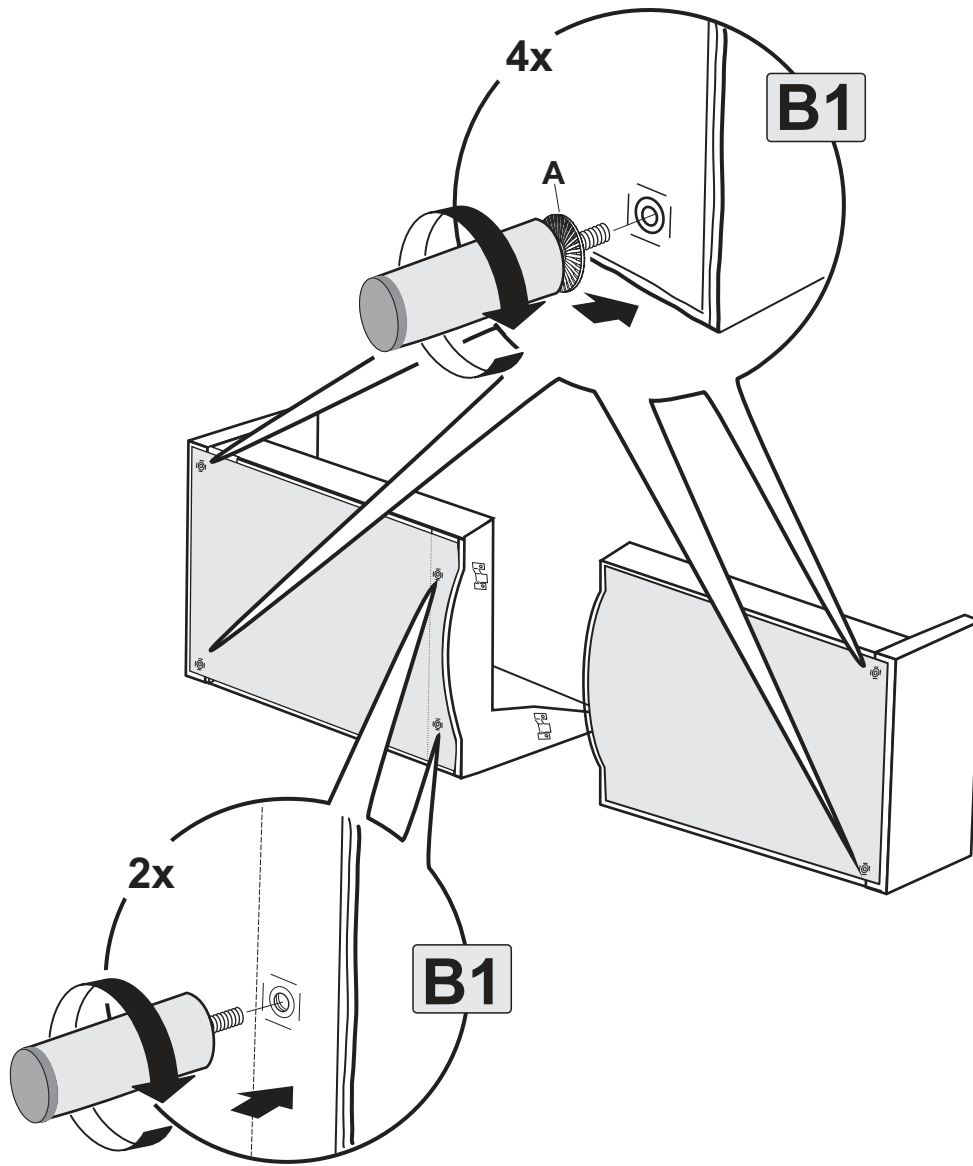
no 138

no 187

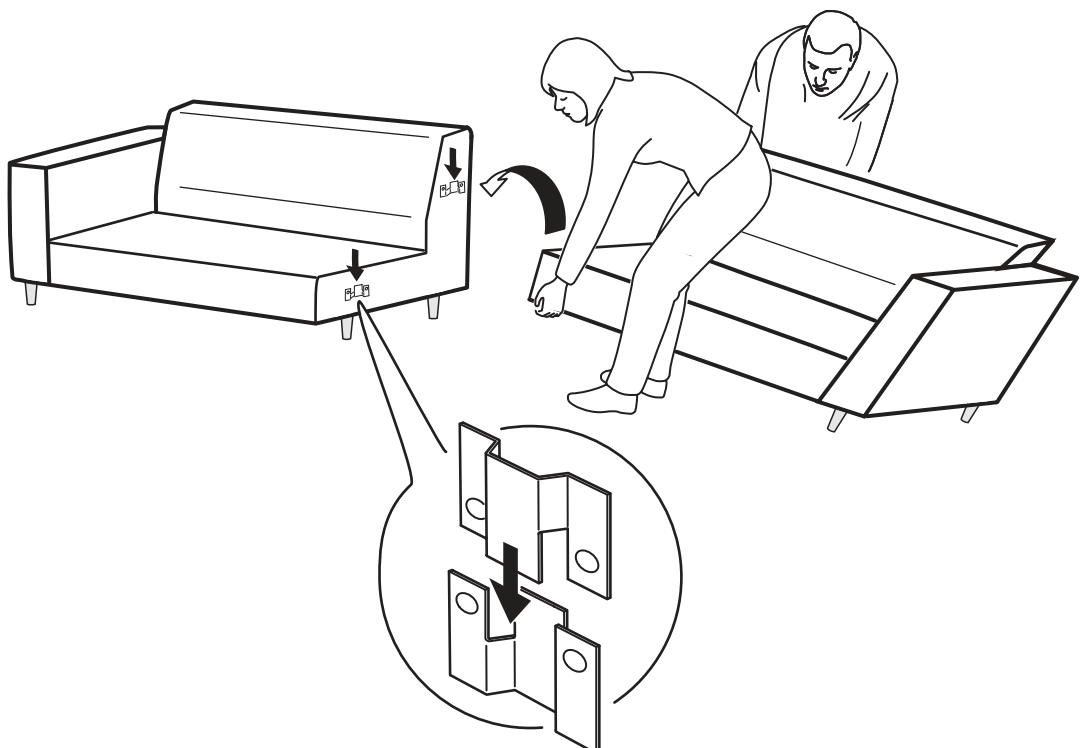


3

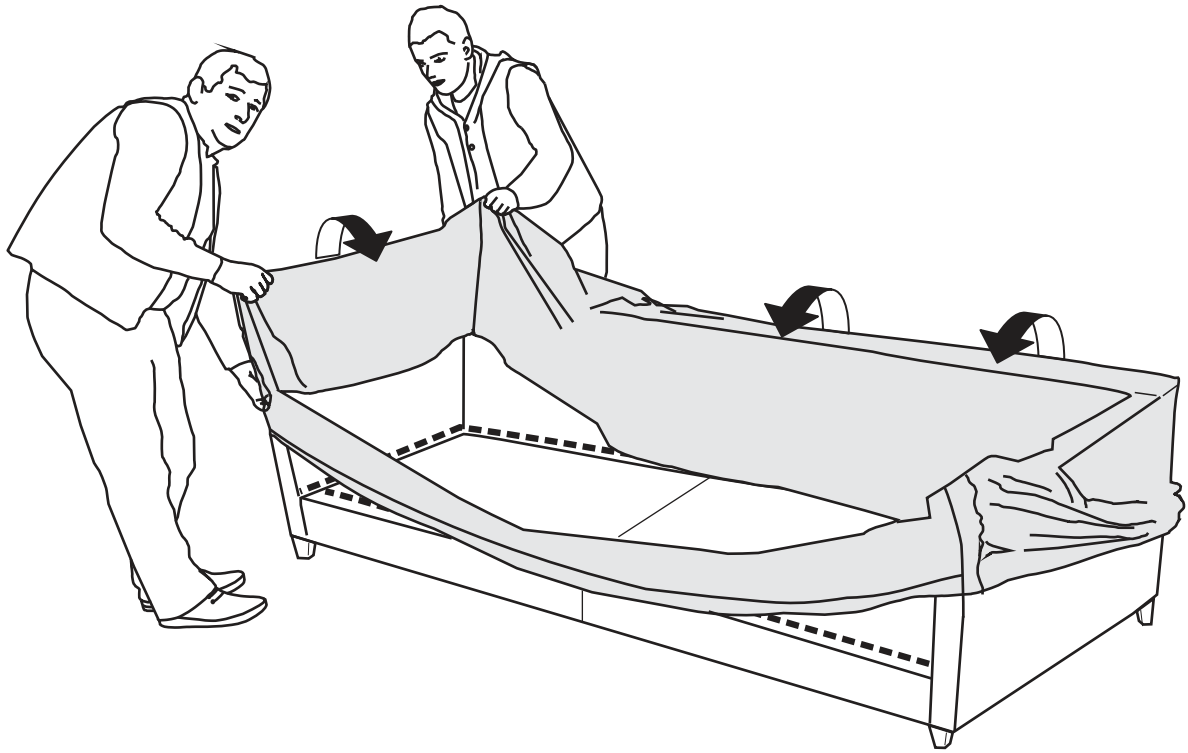
4



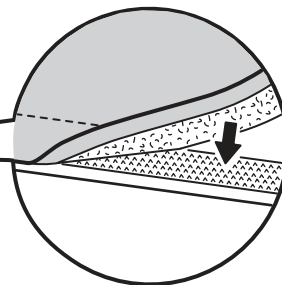
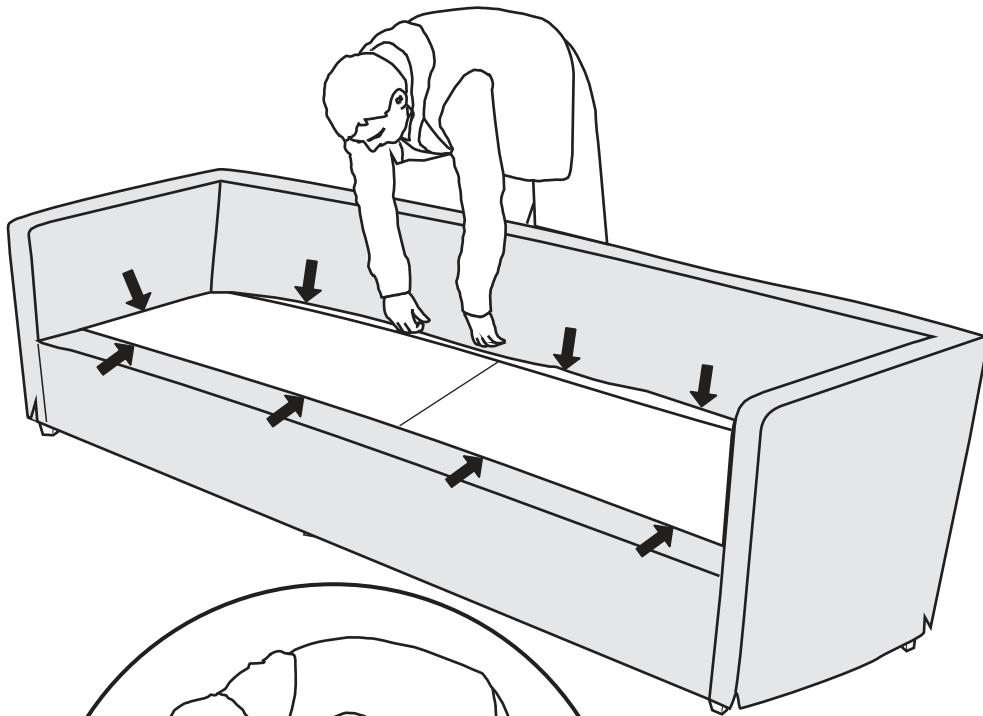
5



6

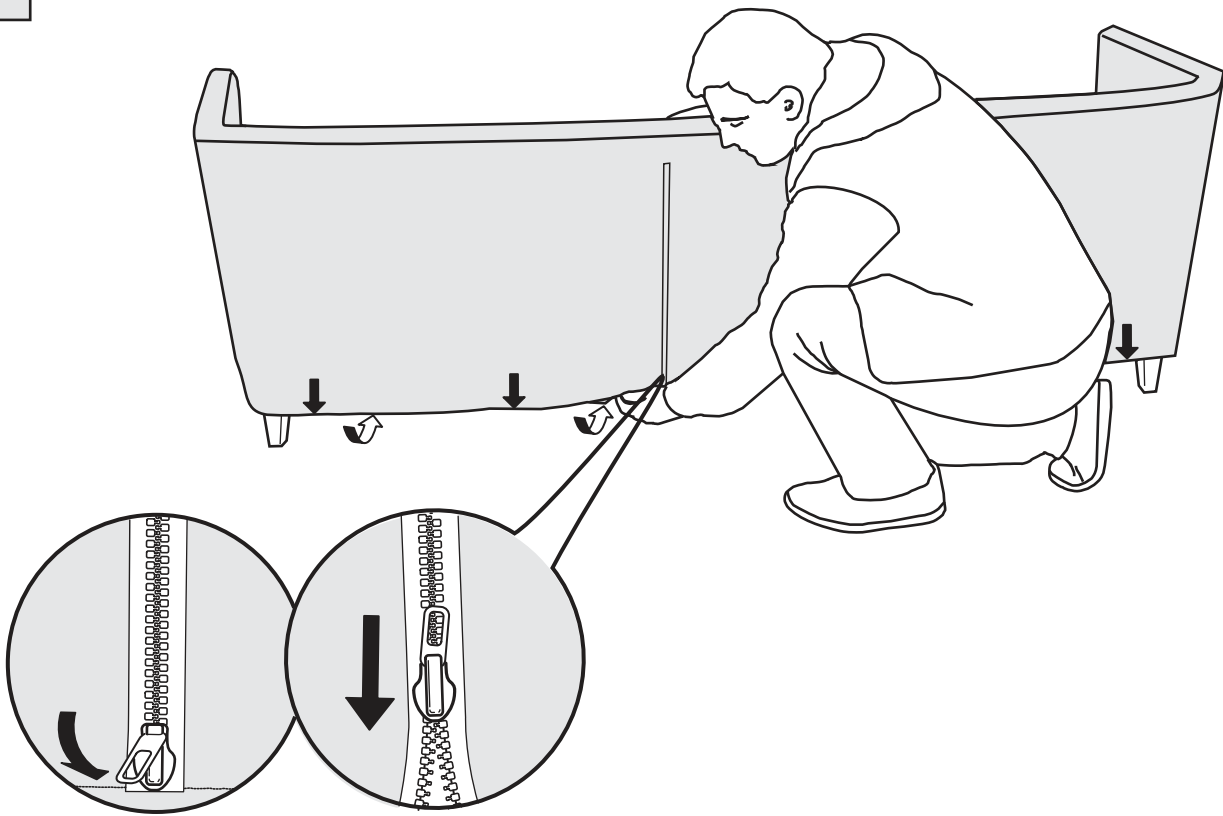


7

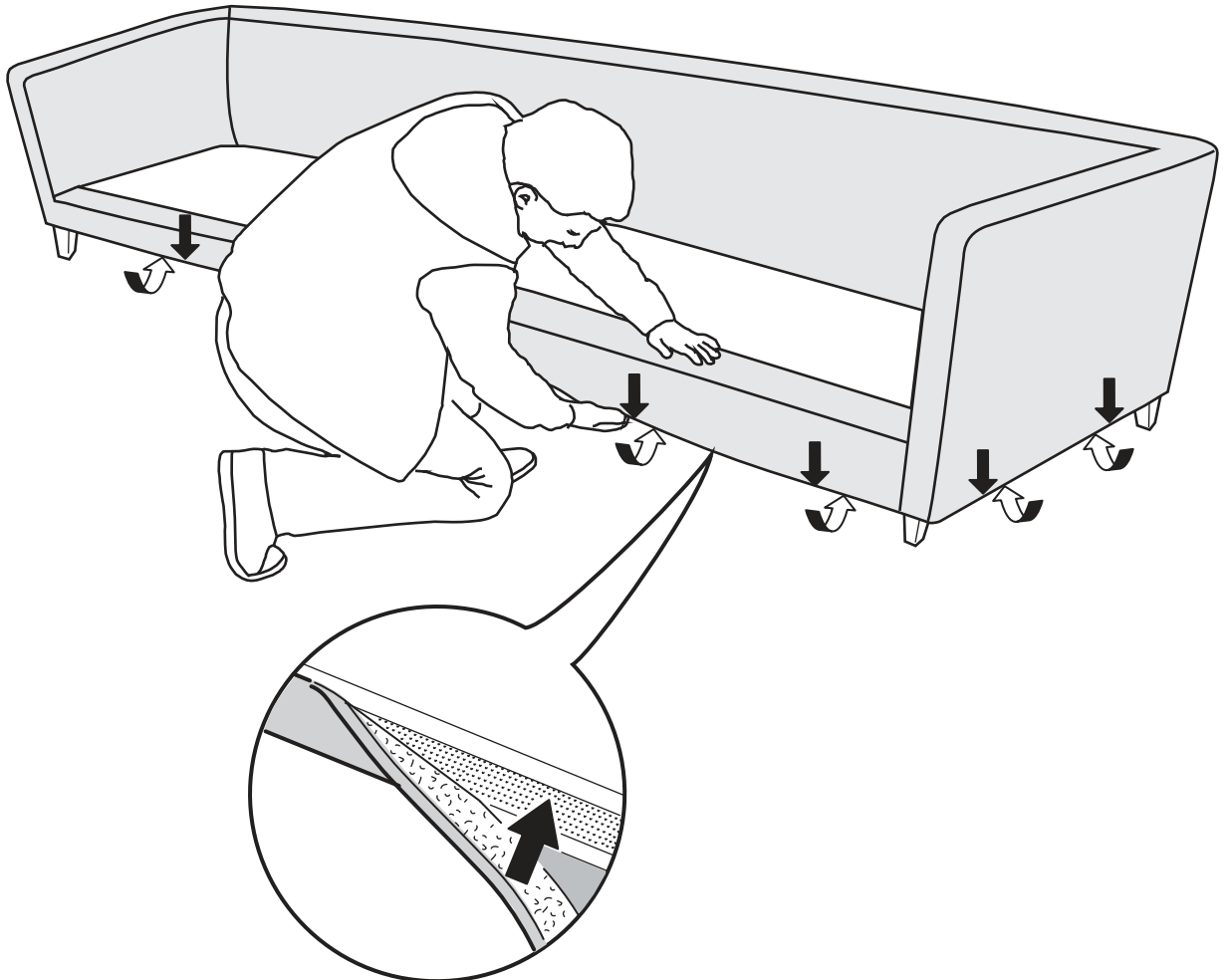


5

8



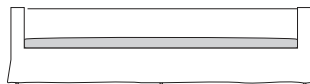
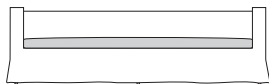
9



6

10

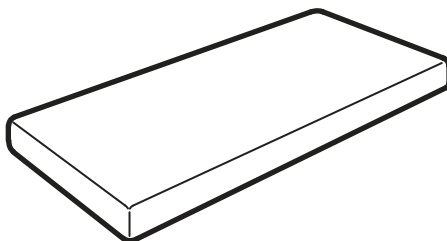
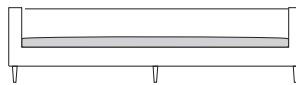
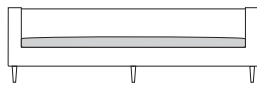
option 1
LC



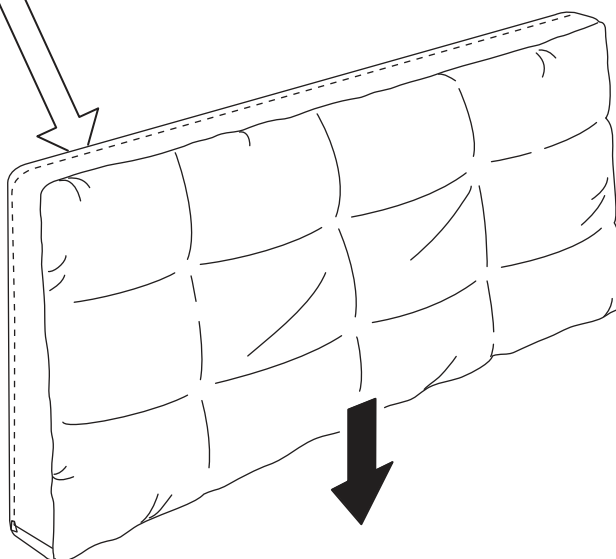
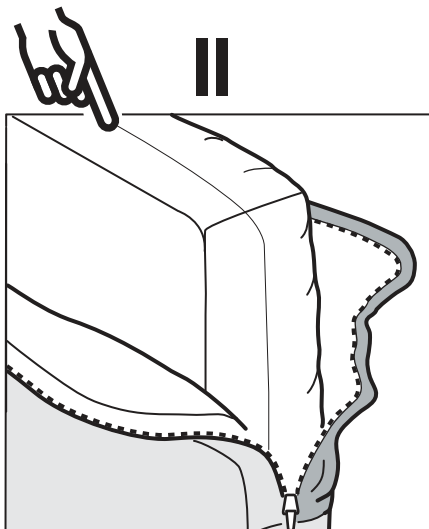
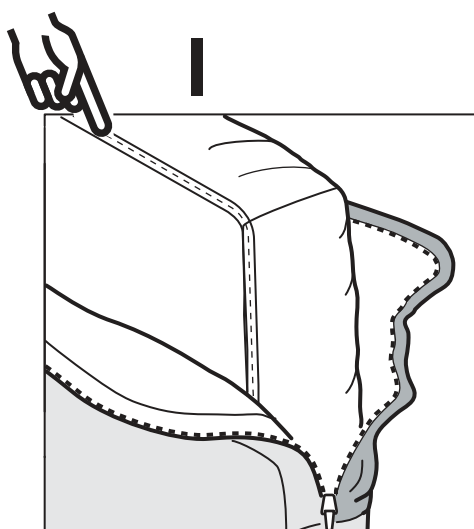
3 SEATER (two parts)

4 SEATER (two parts)

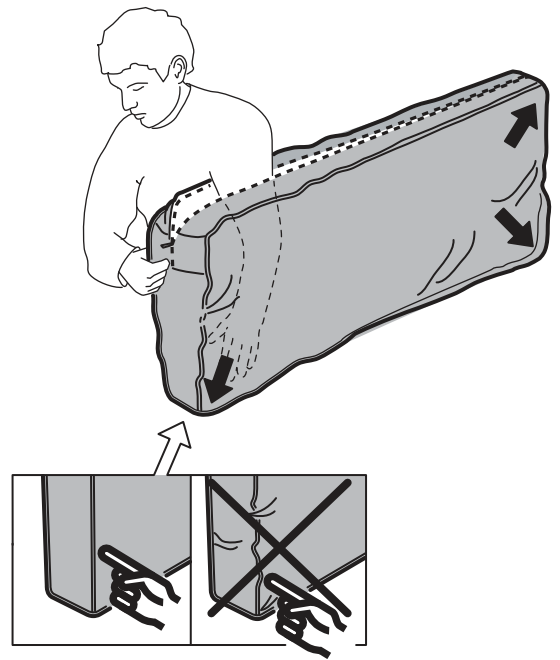
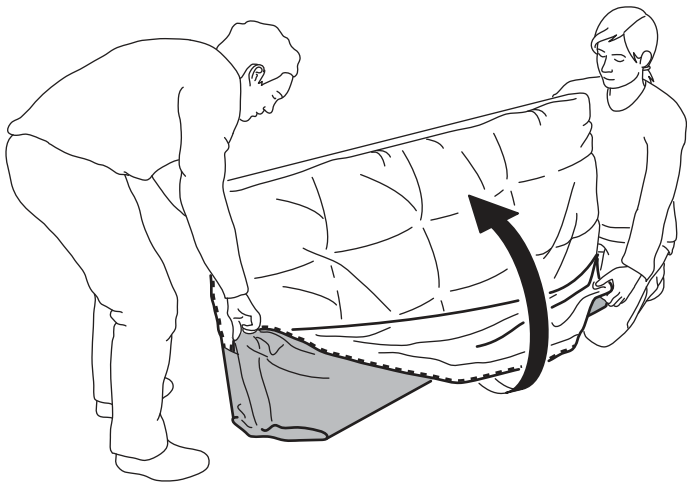
option 2
LCV



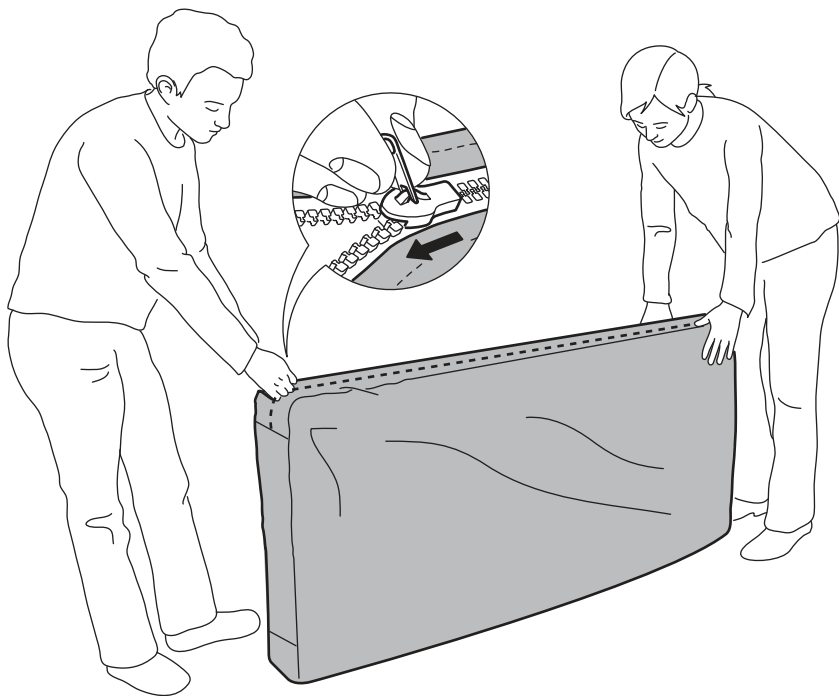
11



12



13



Zachowaj instrukcję / Please keep instructions / Bewahren Sie die Anleitung / Merci de garder l'instruction